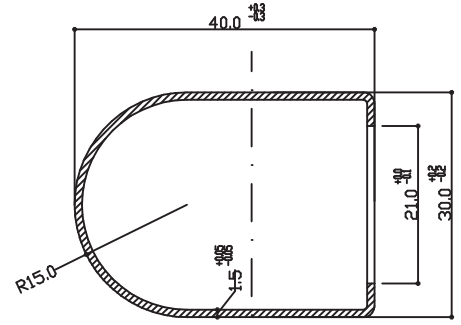


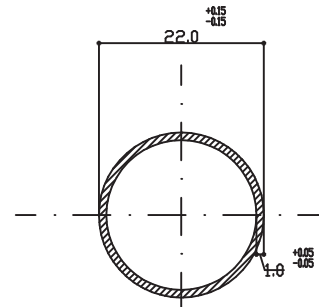
SCALE 1:2

SECTION A-A



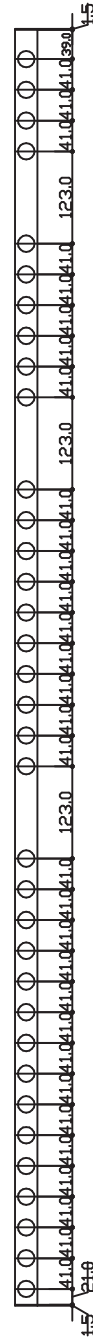
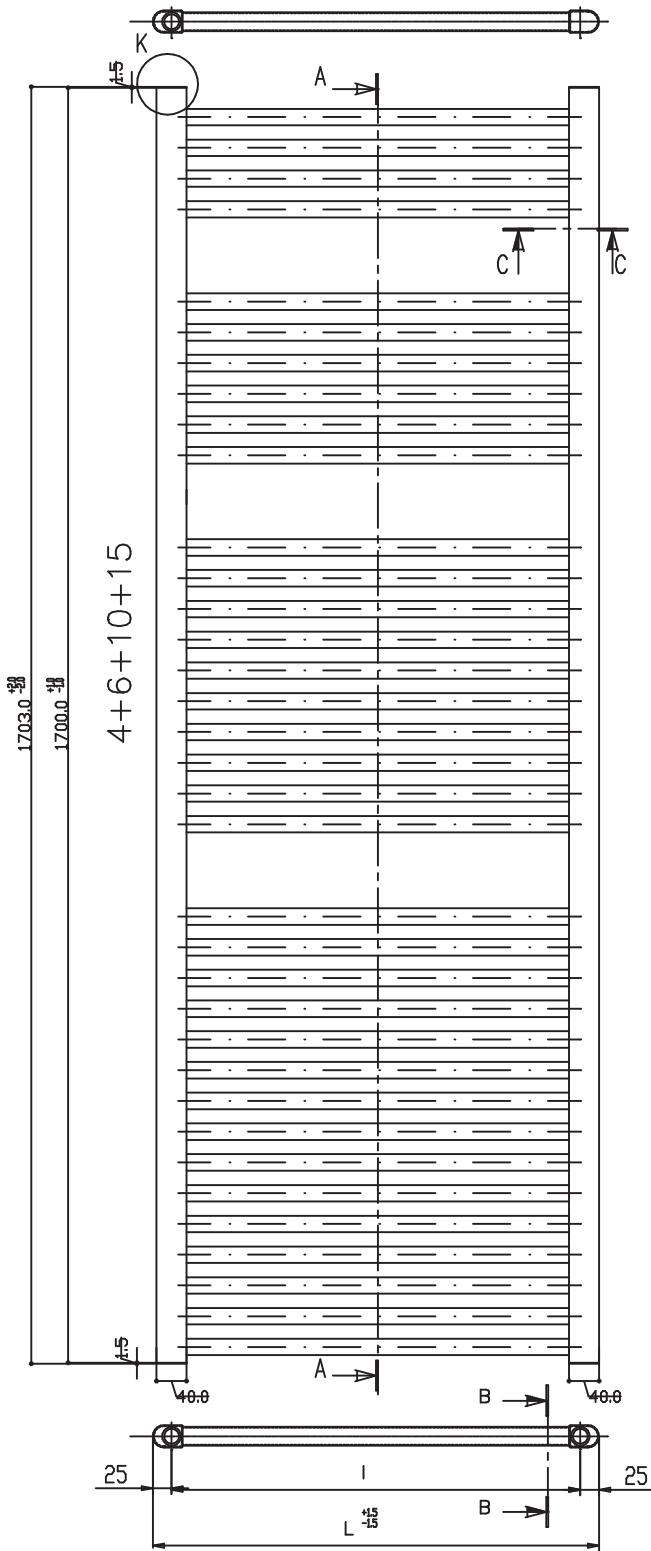
SECTION C-C

SCALE 1:1



SECTION B-B

SCALE 1:1



| WIDTH 'L' | PIPE CENTRE 'I' |
|-----------|-----------------|
| 500       | 450             |

**bauhaus**

DESIGN

DE50X170C

Towel warmer 500w x 1700h straight chrome