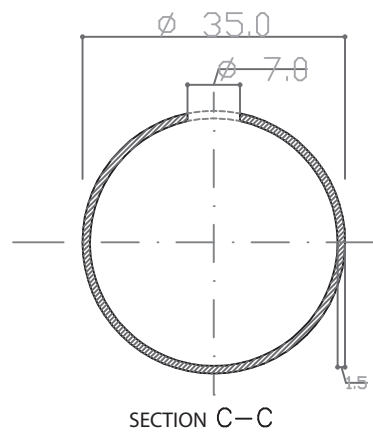


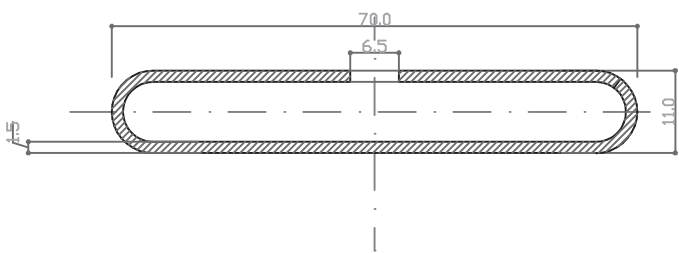
SECTION A-A



SCALE 1:1

SECTION B-B

SCALE 1:1



| WIDTH 'L' | PIPE CENTRE 'I' |
|-----------|-----------------|
| 500       | 450             |

**bauhaus**

ELITE

EL50X121C

Towel warmer 500w x 1210h straight chrome