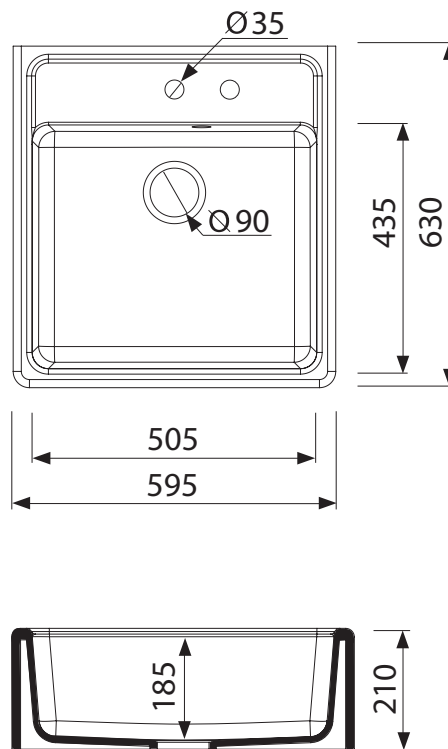


measurements in millimetres (mm)  
information updated February 2014

tel | 01322 422767  
web | [www.crosswater.co.uk](http://www.crosswater.co.uk)  
email | [technical@crosswater-holdings.co.uk](mailto:technical@crosswater-holdings.co.uk)



## CUCINA

---

Belgravia Semi Inset Belfast Kitchen Sink

---

Counter Mounted

---

KS\_BL5963CW

---