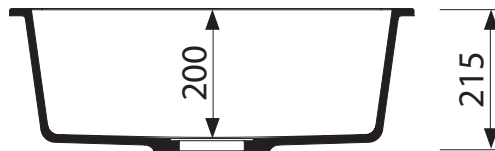
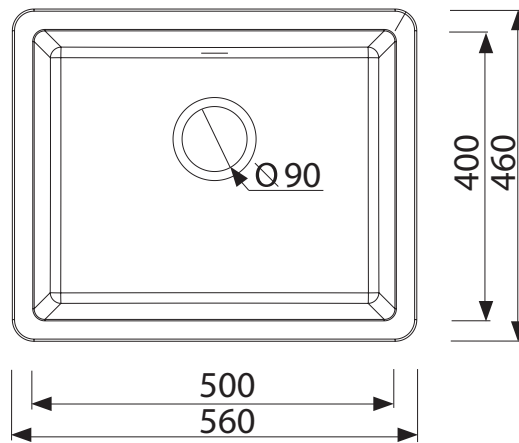


measurements in millimetres (mm)  
information updated February 2014

tel | 01322 422767  
web | www.crosswater.co.uk  
email | technical@crosswater-holdings.co.uk



## CUCINA

---

Tone Single Bowl Kitchen Sink

---

Counter Mounted

---

KS\_TN5646RB

---